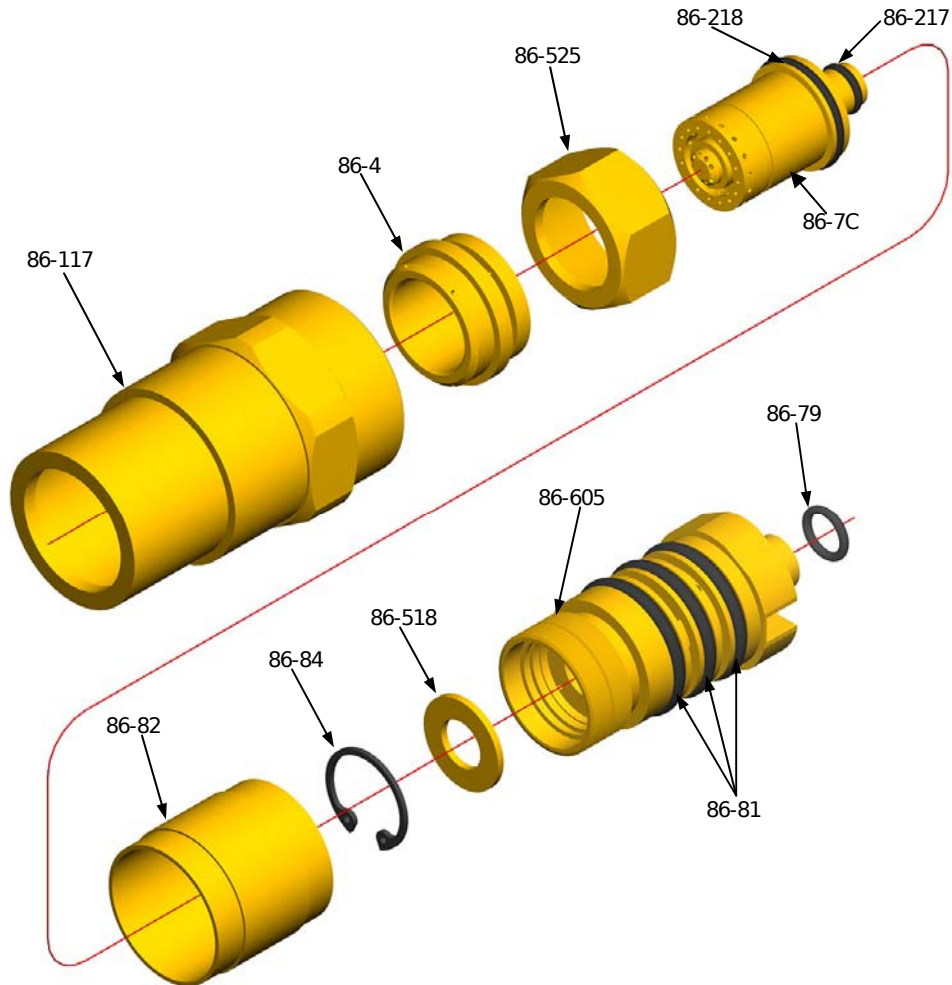


POWDERJET 86 II GUN REPLACEMENT SPARES





PART LIST OF POWDERJET 86 II GUN

MEC PART No.	GENERAL DESCRIPTION
86-3	Air cap (pinch cool) (not shown)
86-4	Air cap (gun cooling)
86-7C-N	"N" nozzle (for spraying small surface with metal powders)
86-7C-M	"M" nozzle (for spraying metal powders)
86-7C-K	"K" nozzle (for spraying ceramic powders)
86-7C-D	"O" nozzle (for spraying fine powders)
86-7C-MH	"MH" nozzle (for spraying using hydrogen as fuel)
86-79	Siphon plug "O" ring (small)
86-80	"O" ring (not shown)
86-81	Siphon plug "o" ring (large)
86-82	Sleeve
86-84	Baffle retaining lock
86-117	Air cap body
86-217	Nozzle "O" ring (small)
86-218	Nozzle "O" ring (large)
86-518	Baffle
86-525	Nozzle nut
86-605	Siphon plug assembly - 4 jet (include part nos. 86-79, 81, 82, 84 & 518) (not shown)
86-655	Siphon plug assembly - 4 jet (include part nos. 86-7c, 79, 81, 82,84, 518, & 525) (not shown)
86-690	Siphon plug assembly - 4 jet (include part nos. 86-7c-k, 79, 81,82, 84, 518, & 525) (not shown)
86-855	Siphon plug spares parts pkg. (include part nos. 86-79, 81,82,84, & 518) (not shown)



METALLIZING EQUIPMENT CO. PVT. LTD.

E-101, M.I.A., Phase-II, Basni, Jodhpur-342005 (INDIA)

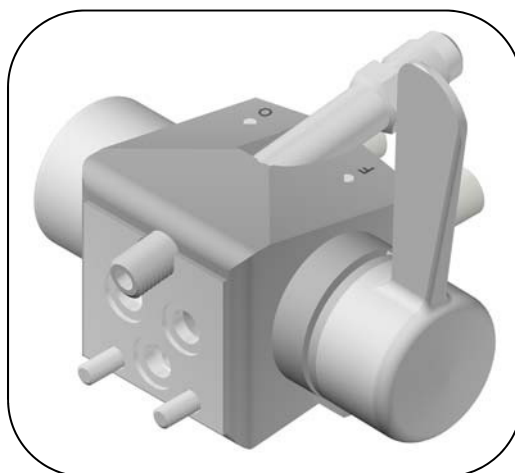
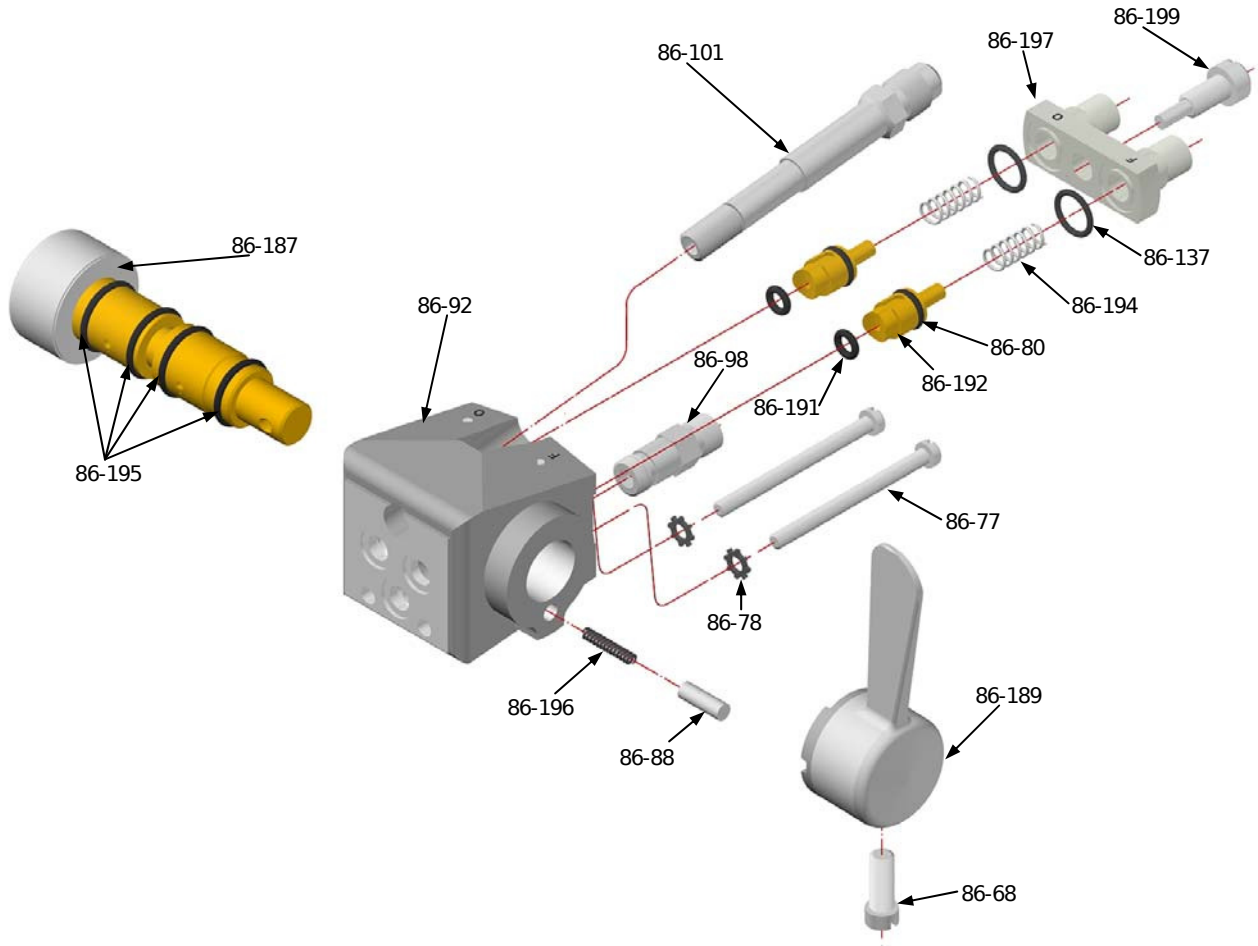
Ph. : +91 291 2747601 Fax : +91 291 2746359

E-Mail : marketing@mecpl.com / sales@mecpl.com / trade@mecpl.com

Web : www.mecpl.com



POWDERJET 86 II GUN REPLACEMENT SPARES



86-5 GAS VALVE ASSEMBLY



PART LIST OF POWDERJET 86 II GUN

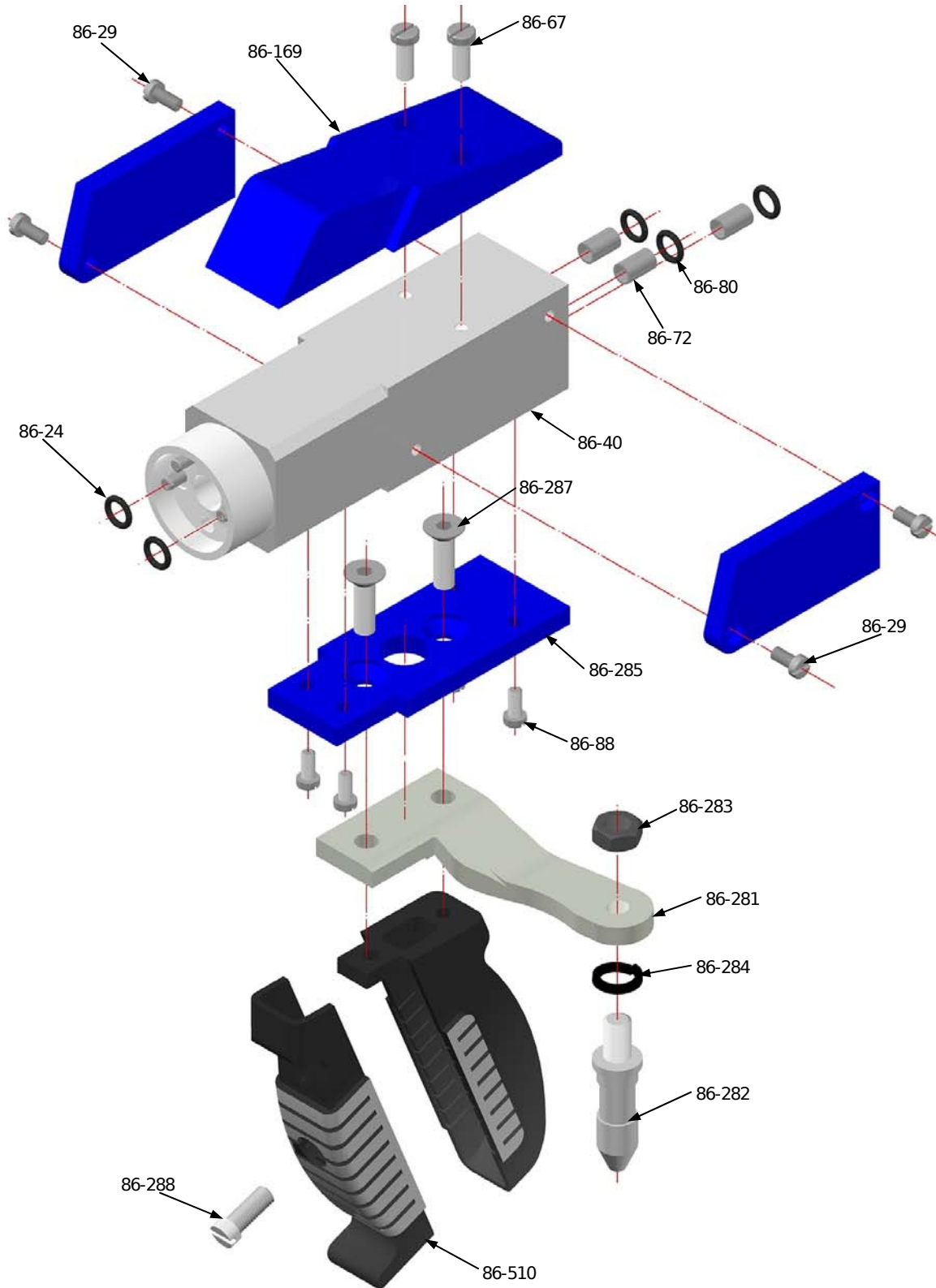
MEC PART No.	DESCRIPTION
86-5	Gas valve assembly
86-68	Valve handle mounting screw
86-77	Mounting screw
86-78	Lock washer
86-80	Plunger "o" ring
86-92	Valve block
86-98	Air hose connection
86-137	Connection block "o" ring
86-187	Valve core assembly
86-188	Detent pin
86-189	Valve handle assembly
86-191	Plunger seal "o" ring
86-192	Plunger
86-194	Plunger spring
86-195	Valve core "o" ring
86-196	Detent pin spring
86-197	Hose connection block assy.
86-199	Connection block mounting screw
86-280	Gas valve "o" ring package (incls 86-80,137, 191 & 195) (not shown)
86-101	Powder feed tube



METALLIZING EQUIPMENT CO. PVT. LTD.
 E-101, M.I.A., Phase-II, Basni, Jodhpur-342005 (INDIA)
 Ph. : +91 291 2747601 Fax : +91 291 2746359
 E-Mail : marketing@mecpl.com / sales@mecpl.com / trade@mecpl.com
 Web : www.mecpl.com

ACS
 ALLOY COATING SUPPLY
 22820 IH 45 N. Bldg 6A
 Spring, TX 77373
 281-528-0890

POWDERJET 86 II GUN REPLACEMENT SPARES





PART LIST OF POWDERJET 86 II GUN

MEC PART No.	DESCRIPTION
86-24	"O" ring
86-29	Name plate mounting screw (not shown)
86-40	Gun body assembly
86-67	Top plate mounting screw (not shown)
86-72	Gas connecting tube
86-88	Mounting plate screw
86-169	Top plate
86-281	Tool post bracket
86-282	Mounting stud
86-283	Nut
86-284	Lock washer
86-285	Handle mounting plate
86-286	Handle assembly mounting gasket (not shown)
86-287	Handle assembly mounting screw
86-288	Handle assembly screw
86-510	Control handle assembly



METALLIZING EQUIPMENT CO. PVT. LTD.
 E-101, M.I.A., Phase-II, Basni, Jodhpur-342005 (INDIA)
 Ph. : +91 291 2747601 Fax : +91 291 2746359
 E-Mail : marketing@mecpl.com / sales@mecpl.com / trade@mecpl.com
 Web : www.mecpl.com

ACS
 ALLOY COATING SUPPLY
 22820 IH 45 N. Bldg 6A
 Spring, TX 77373
 281-528-0890