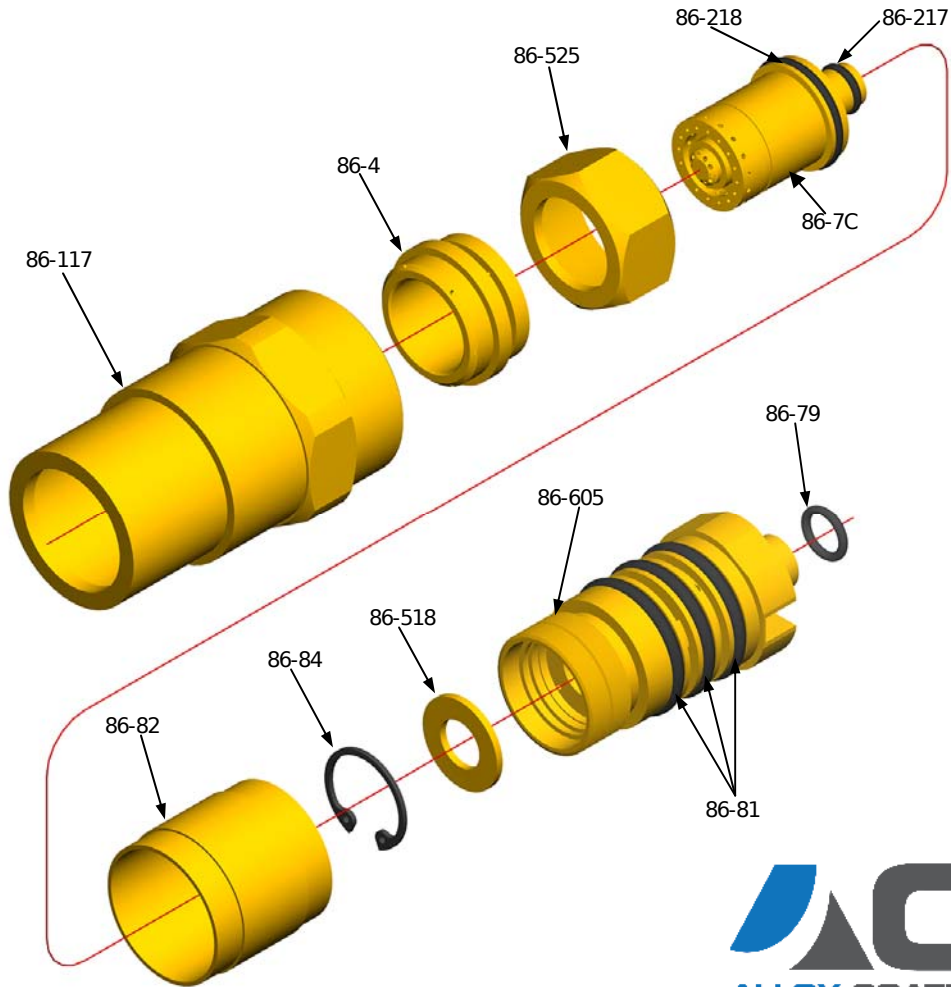


## POWDERJET 86 II GUN REPLACEMENT SPARES



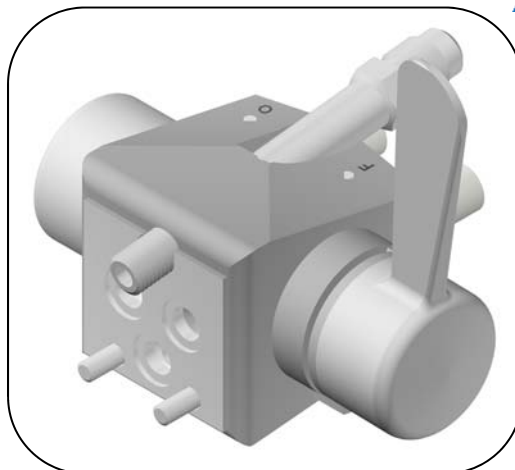
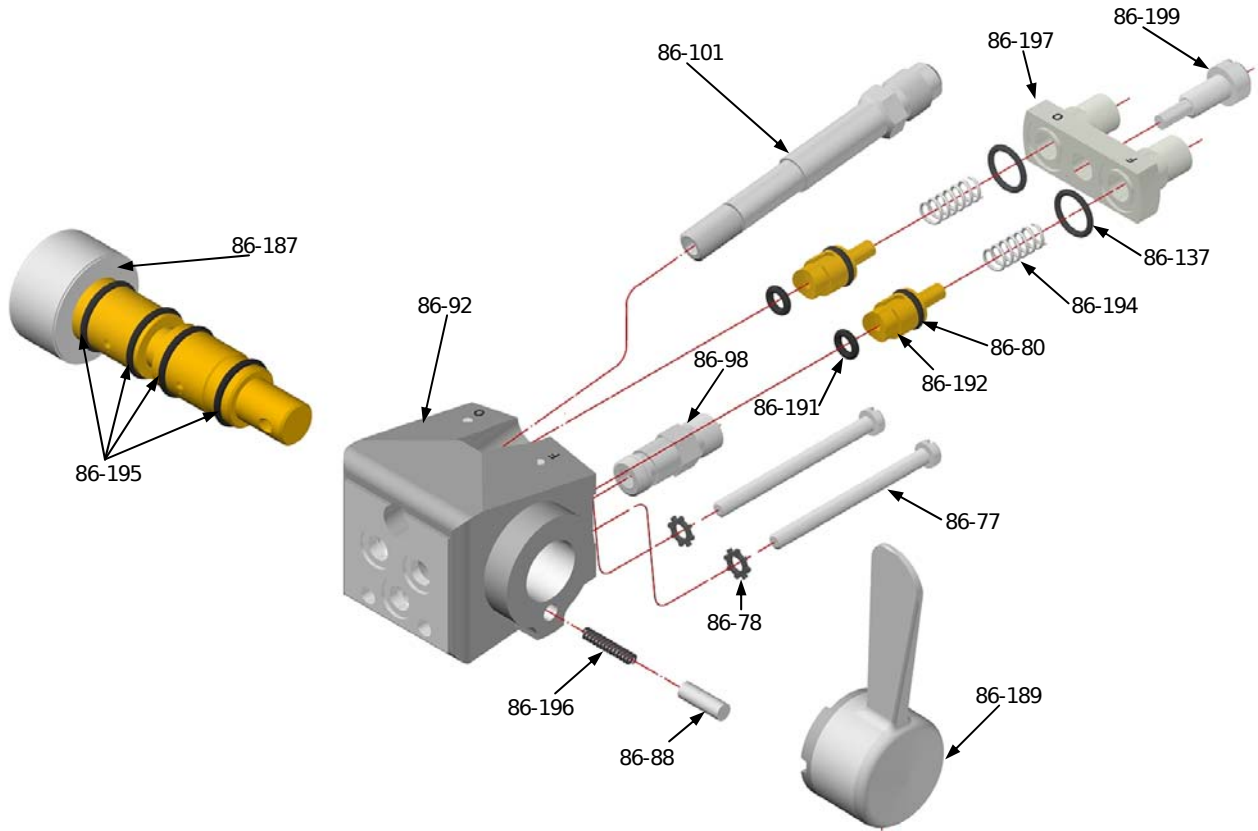


## PART LIST OF POWDERJET 86 II GUN

| ACS PART No. | GENERAL DESCRIPTION   |
|--------------|---|
| 86-3         | Air cap (pinch cool) (not shown)  |
| 86-4         | Air cap (gun cooling)   |
| 86-7C-N      | "N" nozzle (for spraying small surface with metal powders)                                      |
| 86-7C-M      | "M" nozzle (for spraying metal powders)   |
| 86-7C-K      | "K" nozzle (for spraying ceramic powders)   |
| 86-7C-D      | "O" nozzle (for spraying fine powders)  |
| 86-7C-MH     | "MH" nozzle (for spraying using hydrogen as fuel)   |
| 86-79        | Siphon plug "O" ring (small)  |
| 86-80        | "O" ring (not shown)  |
| 86-81        | Siphon plug "o" ring (large)  |
| 86-82        | Sleeve  |
| 86-84        | Baffle retaining lock   |
| 86-117       | Air cap body  |
| 86-217       | Nozzle "O" ring (small)   |
| 86-218       | Nozzle "O" ring (large)   |
| 86-518       | Baffle  |
| 86-525       | Nozzle nut  |
| 86-605       | Siphon plug assembly - 4 jet (include part nos. 86-79, 81, 82, 84 & 518) (not shown)            |
| 86-655       | Siphon plug assembly - 4 jet (include part nos. 86-7c, 79, 81, 82,84, 518, & 525) (not shown)   |
| 86-690       | Siphon plug assembly - 4 jet (include part nos. 86-7c-k, 79, 81,82, 84, 518, & 525) (not shown) |
| 86-855       | Siphon plug spares parts pkg. (include part nos. 86-79, 81,82,84, & 518) (not shown)            |



## POWDERJET 86 II GUN REPLACEMENT SPARES



**86-5 GAS VALVE ASSEMBLY**

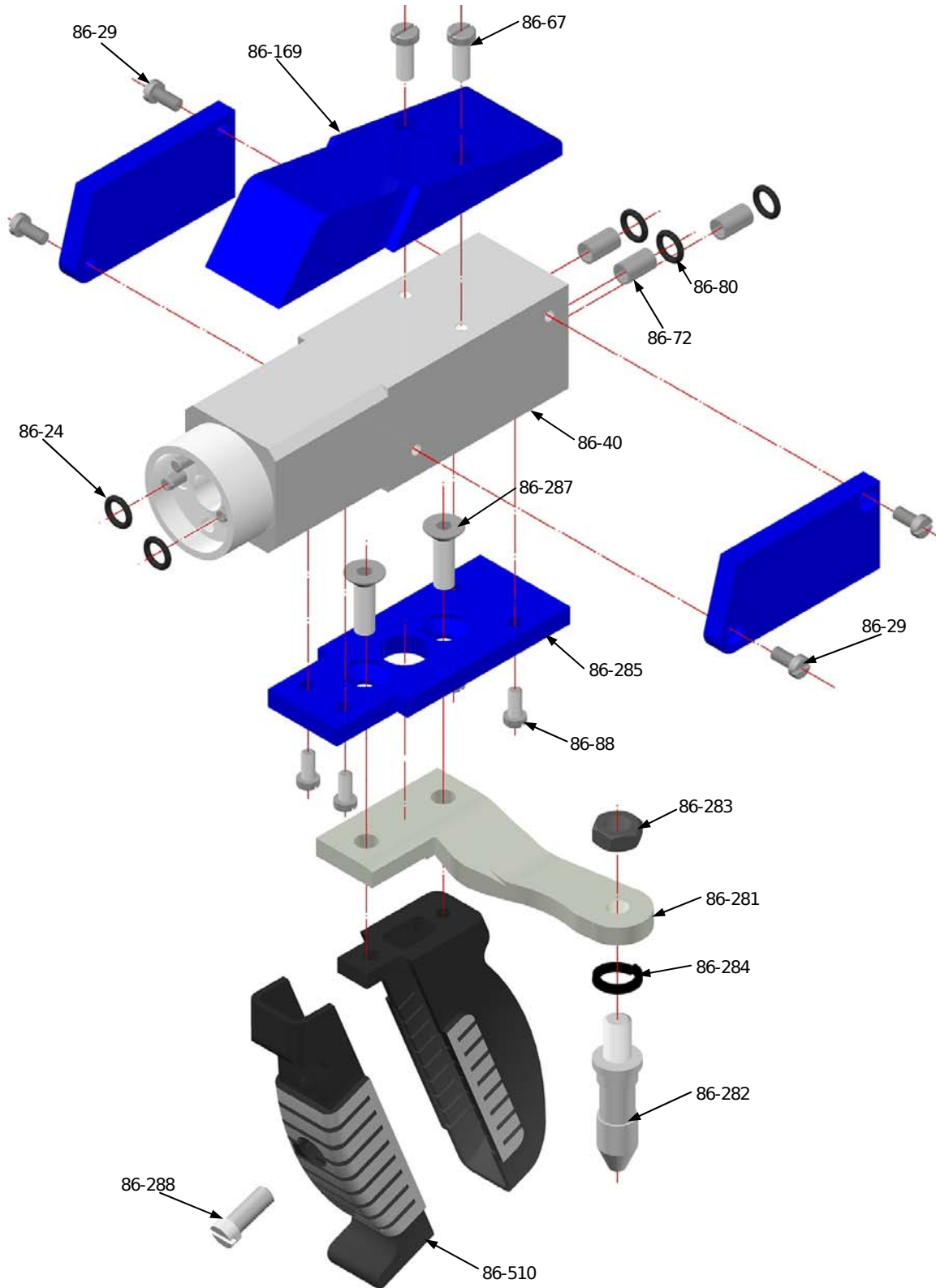


## PART LIST OF POWDERJET 86 II GUN

| ACS PART No. | DESCRIPTION   |
|--------------|---|
| 86-5         | Gas valve assembly  |
| 86-68        | Valve handle mounting screw   |
| 86-77        | Mounting screw  |
| 86-78        | Lock washer   |
| 86-80        | Plunger "o" ring  |
| 86-92        | Valve block   |
| 86-98        | Air hose connection   |
| 86-137       | Connection block "o" ring   |
| 86-187       | Valve core assembly   |
| 86-188       | Detent pin  |
| 86-189       | Valve handle assembly   |
| 86-191       | Plunger seal "o" ring   |
| 86-192       | Plunger   |
| 86-194       | Plunger spring  |
| 86-195       | Valve core "o" ring   |
| 86-196       | Detent pin spring   |
| 86-197       | Hose connection block assy.   |
| 86-199       | Connection block mounting screw                                     |
| 86-280       | Gas valve "o" ring package (incls 86-80,137, 191 & 195) (not shown) |
| 86-101       | Powder feed tube  |



## POWDERJET 86 II GUN REPLACEMENT SPARES





## PART LIST OF POWDERJET 86 II GUN

| ACS PART No. | DESCRIPTION                                 |
|--------------|---|
| 86-24        | "O" ring                                    |
| 86-29        | Name plate mounting screw (not shown)       |
| 86-40        | Gun body assembly                           |
| 86-67        | Top plate mounting screw (not shown)        |
| 86-72        | Gas connecting tube                         |
| 86-88        | Mounting plate screw                        |
| 86-169       | Top plate                                   |
| 86-281       | Tool post bracket                           |
| 86-282       | Mounting stud                               |
| 86-283       | Nut   |
| 86-284       | Lock washer                                 |
| 86-285       | Handle mounting plate                       |
| 86-286       | Handle assembly mounting gasket (not shown) |
| 86-287       | Handle assembly mounting screw              |
| 86-288       | Handle assembly screw                       |
| 86-510       | Control handle assembly                     |



1219 Wunsche Loop Rd.  
Spring, Texas 77373

281-528-0980

[AlloyCoatingSupply.com](http://AlloyCoatingSupply.com)

[Info@AlloyCoatingSupply.com](mailto:Info@AlloyCoatingSupply.com)