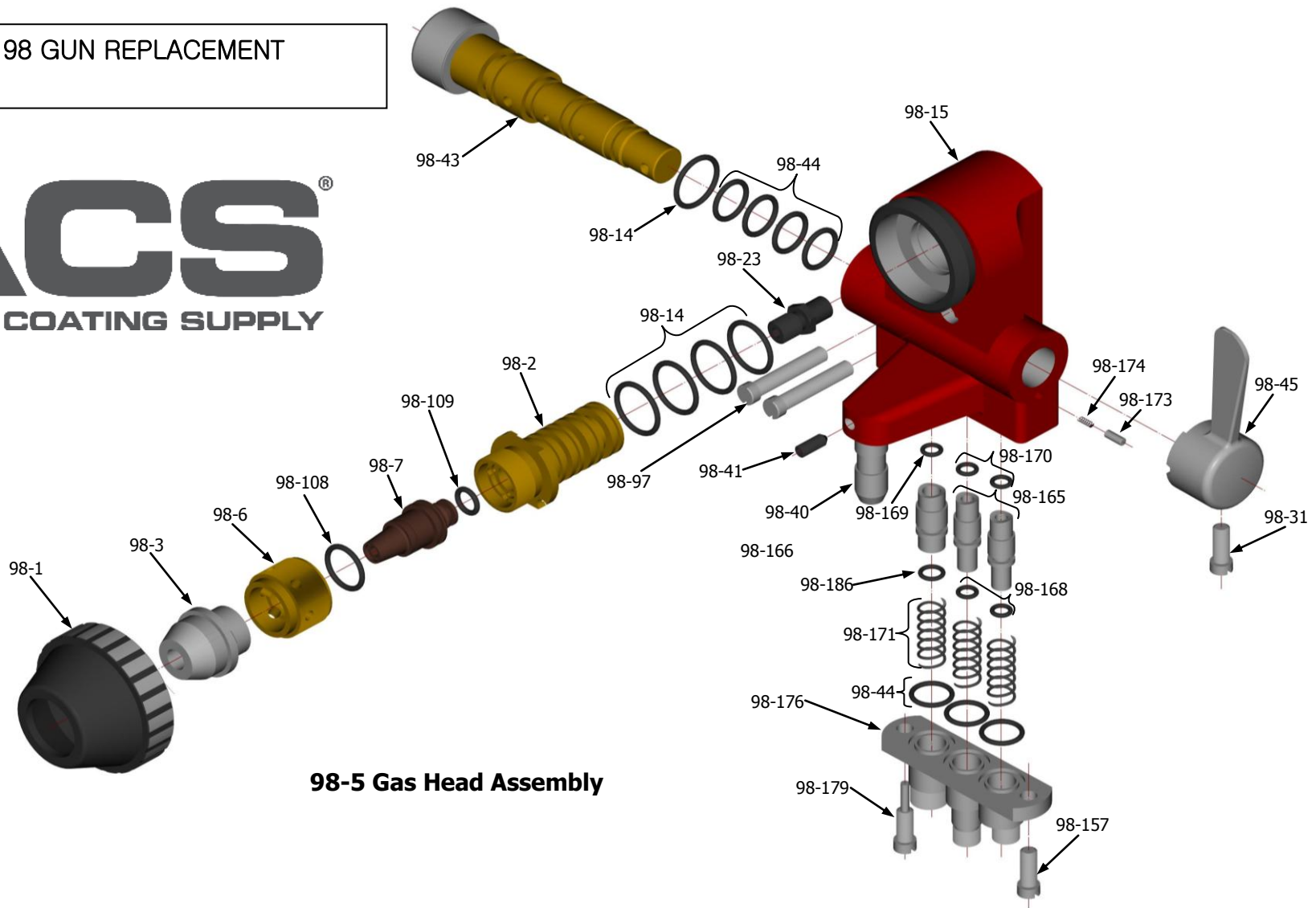


SPRAYJET – 98 GUN REPLACEMENT PARTS

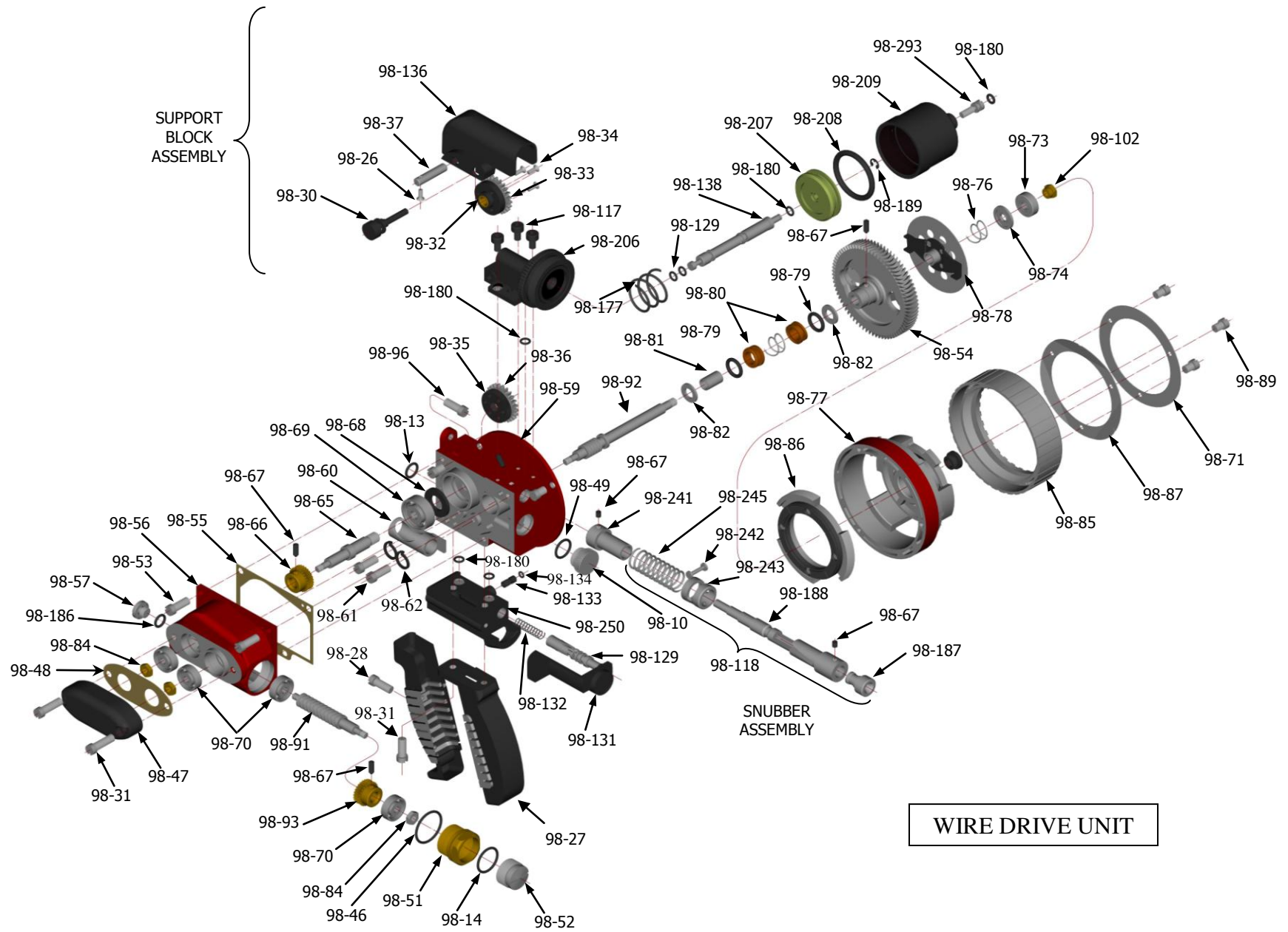


98-5 Gas Head Assembly

PART LIST OF SPRAYJET – 98 GUN

ACS PART NO.	DESCRIPTION
98-1	Air Cap Body
98-5	Complete Gas Head Assembly
98-14	Valve Core "O" Ring/ Siphon Plug "O" Ring/ Counter Shaft "O" Ring
98-15	Gas Head Body (Includes 88-40 & 41)
98-31	Valve Handle Screw
98-40	Mounting Stud
98-41	Mounting Stud Roll Pin
98-43	Valve Core
98-44	Valve Core "O" Ring Small
98-45	Valve Handle assembly
98-96	Gas Head Mounting Screw, Rear (Not Shown)
98-97	Gas Head Mounting Screw, Front (Not Shown)
98-157	Hose Connection Block Mounting Screw
98-165	Plunger (Fuel Gas & Oxygen)
98-166	Plunger (Air)
98-168	Plunger "O" Ring (Fuel Gas & Oxygen)
98-169	Plunger Seal "O" Ring (Air)
98-170	Plunger Seal "O" Ring (Fuel Gas & Oxygen)
98-171	Plunger Spring
98-173	Detent Pin
98-174	Detent Pin Spring
98-176	Hose Connection Block (1pc 1/4-20 Male & 2pc 3/8-24 Male)
98-179	Valve Core Stop Screw
98-186	Plunger O-ring (air)
98-184	Gas Head Valve "O" Ring Package (Not Shown) (Consists Of A Complete Set Of Spare "O" Rings For 88-5 gas head)
98-3-C	C Air Cap
98-3-CH	CH Air Cap
98-3-EA	EA Air Cap
98-3-EC	EC Air Cap
98-3-J	J Air Cap
98-3-JH	JH Air Cap
98-3-N	N Air Cap
98-3-M	M Air Cap
98-3-MH	MH Air Cap

98-4-AB	AB Fan spray air cap
98-4-CD	CD Fan spray air cap
98-6	Nozzle Nut
98-108	Nozzle 'O' ring (LARGE)
98-109	Nozzle 'O' ring (SMALL)
98-7-25	Nozzle 1/8" -MPS
98-7-26	Nozzle 1/8", acetylene, non load
98-7-27	Nozzle 1/8", propane, non load
98-7-29	Nozzle 15 Ga, acetylene
98-7-30	Nozzle 15 Ga, acetylene non load
98-7-31	Nozzle 15 Ga, propane
98-7-32	Nozzle 15 Ga, propane non load
98-7-35	Nozzle 11 Ga, acetylene
98-7-36	Nozzle 151Ga, acetylene non load
98-7-37	Nozzle 11 Ga, propane
98-7-38	Nozzle 11 Ga, propane non load
98-7-41	Nozzle 11 Ga, SPRAYBOND
98-7-42	Nozzle 3/16", acetylene
98-7-43	Nozzle 3/16", propane
98-7-45	Nozzle 3/16", acetylene, non-load
98-7-46	Nozzle 3/16", propane non load
98-7-48	Nozzle 1/8", acetylene
98-7-49	Nozzle 1/8", propane
98-2-5	Siphon Plug, Acetylene (large gauge)
98-2-6	Siphon Plug, propane (large gauge)
98-2-7	Siphon Plug, Acetylene (small gauge)
98-2-8	Siphon Plug, Propane (small gauge)
98-14	Siphon Plug "O" Ring / Valve Core "O" Ring / Counter Shaft "O" Ring
98-23-3/16"	Front Wire Guide (3/16"-1/8")
98-23-1/8"	Front Wire Guide (1/8"-11 Ga)
98-23-15	Front Wire Guide, 15-20 Ga
98-23-1.6	Front wire guide, 1.6 mm
98-200-1	Siphon Plug Assembly, 3/16"
98-200-2	Siphon Plug Assembly, 1/8"
98-200-3	Siphon Plug Assembly, 11 Ga



PART LIST OF SPRAYJET – 98 GUN

ACS PART No.	DESCRIPTION
98-31	Bearing cover screw
98-47	Bearing cover
98-48	Bearing cover gasket
98-54	Turbine rotor (includes 98-67)
98-64	Finger spring
98-67	Setscrew
98-73	Right ball bearing for turbine shaft
98-74	Washer for brake disc return spring
98-76	Brake disc return spring
98-78	Brake disc
98-79	“O” ring for oil seal
98-80	Oil seal bobbin
98-81	Oil seal sleeve
98-82	Oil seal washer
98-92-H	Turbine shaft, high speed
98-92-S	Turbine shaft, std.
98-102	Turbine bearing nut-right
98-160	Oil seal assy. (includes 98-79, 80, 82 & 283)
98-220	Turbine bearing-left (not shown)
98-221	Bearing follower (not shown)
98-283	Oil seal spring (not shown)
98-14	Counter shaft plug "o"-ring/ siphon plug "o" ring/ valve core "O" ring
98-46	Bearing retainer o-ring
98-51	Bearing retainer
98-52	Retainer plug
98-55	Transmission gear cover gasket
98-56	Transmission gear cover
98-67	Set screw
98-70	Counter shaft bearing
98-84	Nut
98-91	Countershaft
98-93H	Counter shaft gear-high speed
98-93S	Counter shaft gear -standard
98-220	Turbine bearing-left (not shown)
98-117	Support block mounting screw
98-129	O-ring

98-138	Piston rod
98-177	Piston return spring
98-180	O-ring
98-189	Retainer ring (not shown)
98-206	Cylinder support block
98-207	Piston
98-208	Piston o-ring
98-209	Cylinder
98-293	Piston stop screw
98-25	Set screw for rear wire guide
98-26	Upper drive roll axle screw (not shown)
98-30	Drive roll carrier pivot pin
98-30 A	Spring (not shown)
98-32-3/16"	Upper drive roll (3/16"-1/8")
98-32-1/8"	Upper drive roll (1/8"-15 Ga)
98-32-18	Upper drive roll (18 Ga)
98-33	Upper drive roll gear
98-34	Upper drive roll gear screw
98-35-3/16"	Lower drive roll (3/16"-1/8")
98-35-1/8"	Lower drive roll (1/8"-11 Ga)
98-35-15	Lower drive roll 15 Ga
98-36-3/16"	Lower drive gear (3/16"-1/8")
98-36-1/8"	Lower drive gear (1/8"-20 Ga)
98-37	Upper drive roll axle
98-53	Turbine cover screw / gear cover screw
98-57	Plug screw
98-136	Drive roll carrier
98-186	Plug screw o-ring
98-50	Grease plug screw
98-71	Control ring name plate
98-77	Turbine cover
98-85	Control ring
98-86	Spider assembly
98-87	Detent spring
98-89	Screw for ring name plate
98-67	Set screw
98-118-3/16"	3/16" Rear wire guide & snubber assemblies
98-118-1/8"	1/8" Rear wire guide & snubber assemblies

98-187-3/16"	Guide insert (3/16"-1/8")
98-187-1/8"	Guide insert (1/8"-11 Ga)
98-188-3/16"	Snubbing rear guide (3/16"-1/8")
98-188-1/8"	Snubbing rear guide (1/8"-11 Ga)
98-241	Spring retainer
98-242	Roller
98-243	Snubber spring housing
98-245	Spring
98-27	Gun handle (include 98-28)
98-28	Gun handle screw
98-31	Gun handle mounting screw
98-129	Valve shaft seal o-ring
98-131	Valve shaft assembly (includes 98-129)
98-132	Valve shaft spring
98-133	Cam follower screw (includes 98-134)
98-134	Cam Follower O-Ring
98-180	O-ring
98-250	Wire feed valve block (includes 98-180)
98-10	Oil Sight Plug (includes 98-49)
98-13	"O" Ring
98-49	Oil side Washer
98-59	Central Housing (Incl. 98-58, 60, 61, 62 & 63)
98-60	Pump Housing
98-61	Pump Housing Mounting Screw
98-62	Pump Housing Lock Washer
98-63	Dowel Pin For Mounting Gear Cover
98-65	Drive Shaft
98-66	Drive Shaft Gear
98-67	Gear Set Screw
98-68	Drive Shaft Seal
98-69	Right Ball Bearing For Drive Shaft
98-84	Nut For Counter Shaft Front Bearing
98-24-3/16"	Rear guide assembly, 3/16"-1/8" (plain) (not shown)
98-24-1/8"	Rear guide assembly, 1/8"-11 Ga (plain) (not shown)
98-140	Rear wire guide 3/16"-1/8" (plain) (not shown)
98-141	Rear wire guide 1/8"-11 Ga (plain) (not shown)
98-144	Bushing
98-163	Spring

TOOL POST FIXTURE ASSEMBLY

CAT. No.	GENERAL DESCRIPTION
98-98	FACE BLOCK
98-99	SPRING
98-124	TOOL POST FIXTURE ASSY.
98-126	CLAMP SHAFT HOUSING
98-127	CLAMP SHAFT
98-128	PIN
98-130	HANDLE ASSY.
98-150	FIXTURE BAR
98-156	FACE BLOCK SCREW (not shown)
98-175	WASHER

TOOLS & LUBRICANTS

CAT. No.	GENERAL DESCRIPTION
98-100	SOCKET WRENCH
98-101	LIGHTER
98-102	ALLEN KEY (2MM)
98-104	DRIVE ROLL TOOL
98-105	SCREW DRIVER
98-107	WIRE CUTTER
98-107A	SPANNER (13-17)
98-107B	SPANNER (19-22)
98-110	GEAR LUBE
98-111	VALVE LUBE
98-114	CLEANING WIRE KIT
98-140	ALLEN KEY (3MM)



1219 Wunsche Loop Rd.
Spring, Texas 77373

281-528-0980

AlloyCoatingSupply.com

Info@AlloyCoatingSupply.com